

THIS DRAWING IS UNPUBLISHED.

RELEASED FOR PUBLICATION

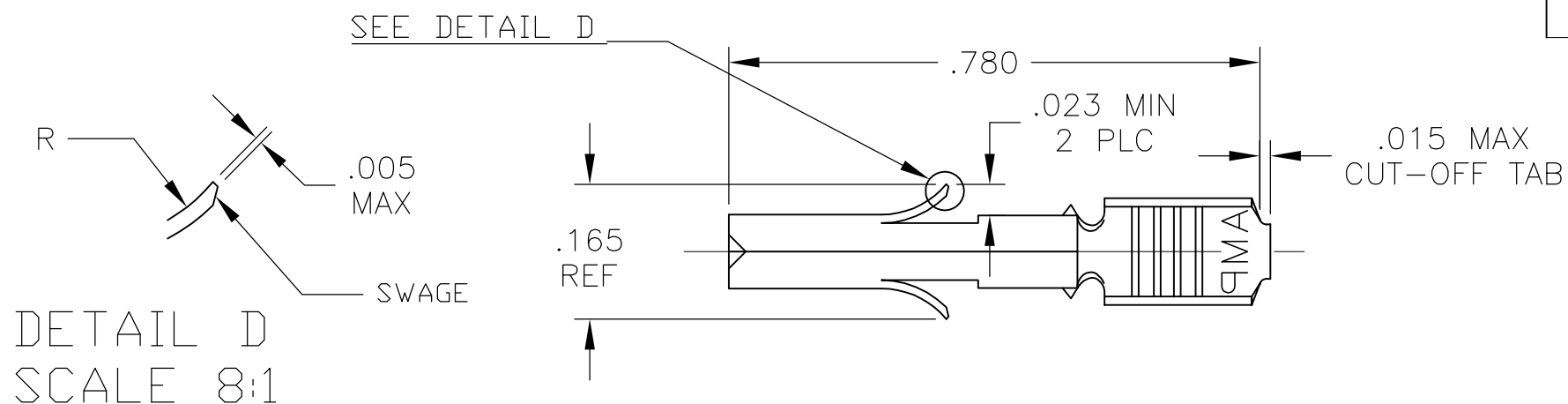
ALL RIGHTS RESERVED.

© COPYRIGHT - By -

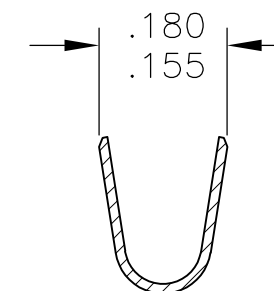
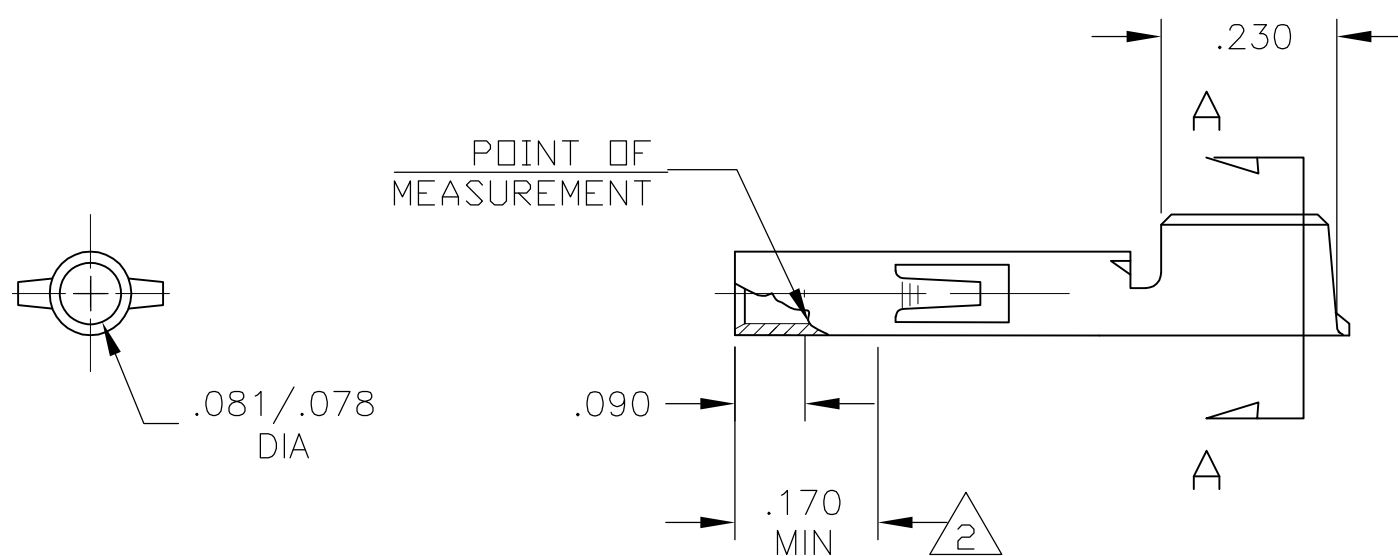
LOC AF DIST 50

REVISIONS

P	LTR	DESCRIPTION	DATE	DWN	APVD
G2		REV PER ECO 11-020508	11OCT11	JR	TM



- WIRE RANGE : 12-10 AWG
INSULATION RANGE: .200 DIA MAX
(LIMITED BY THE CONNECTOR HOUSING CAVITY).
- .000030 THK GOLD, OVER .000050 NICKEL UNDERPLATE ON INSIDE OF RECEPTACLE, REMAINDER OF CONTACT IS NICKEL PLATED.



GOLD \triangle_2	.012±.001 PHOS BRZ	640310-6
PRE-TIN	.012±.001 PHOS BRZ	640310-3
FINISH	MATERIAL	PART NUMBER

THIS DRAWING IS A CONTROLLED DOCUMENT.		DWN jr_ruth 11OCT11	 TE Connectivity											
DIMENSIONS: INCHES		CHK TOM MICHIELUTTI 11OCT11												
TOLERANCES UNLESS OTHERWISE SPECIFIED:		APVD TOM MICHIELUTTI 11OCT11												
<table border="1"> <tr><td>0 PLC</td><td>± -</td></tr> <tr><td>1 PLC</td><td>± -</td></tr> <tr><td>2 PLC</td><td>± -</td></tr> <tr><td>3 PLC</td><td>± .010</td></tr> <tr><td>4 PLC</td><td>± -</td></tr> <tr><td>ANGLES</td><td>± -</td></tr> </table>		0 PLC		± -	1 PLC	± -	2 PLC	± -	3 PLC	± .010	4 PLC	± -	ANGLES	± -
0 PLC	± -													
1 PLC	± -													
2 PLC	± -													
3 PLC	± .010													
4 PLC	± -													
ANGLES	± -													
MATERIAL	FINISH	PRODUCT SPEC	SOCKET UNIVERSAL MATE-N-LOK LOOSE PIECE											
		APPLICATION SPEC	SIZE CAGE CODE DRAWING NO RESTRICTED TO											
		WEIGHT	A3 00779 C-640310											
		CUSTOMER DRAWING	SCALE 4:1 SHEET 1 OF 1 REV G2											